

5. Route the end of the temperature probe cable with the temperature probe through the wall into the steam room as shown in Diagram 3.

IMPORTANT NOTE: Do not strain, staple, pinch or otherwise damage the probe cable.

6. With a minimal length of the cable exposed apply silicone (provided) to the hole in the wall as required to create a moisture seal as shown in Diagram 3.

7. Push the iMSTS cable and probe into hole as required to leave between 1/4" - 1/2" of the probe. Exposed as shown in Diagram 5.

! WARNING Insure a minimum of 1/4" of the probe is exposed to the air. Failure to do so may result in an inoperative control and a hazardous condition.

The exposed area of the probe must be free of silicone or any materials that prevent direct exposure to the steam room air. Failure to do so may interfere with the ability to sense temperature and may result in excessive steam room temperatures.

Steam Room Interior

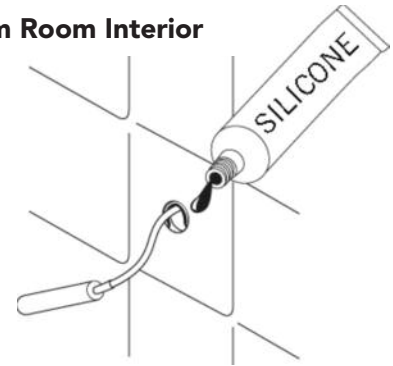


Diagram 3

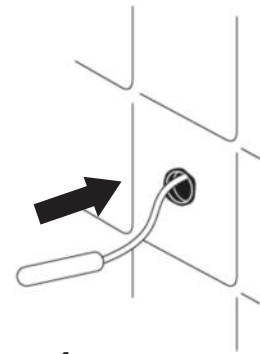
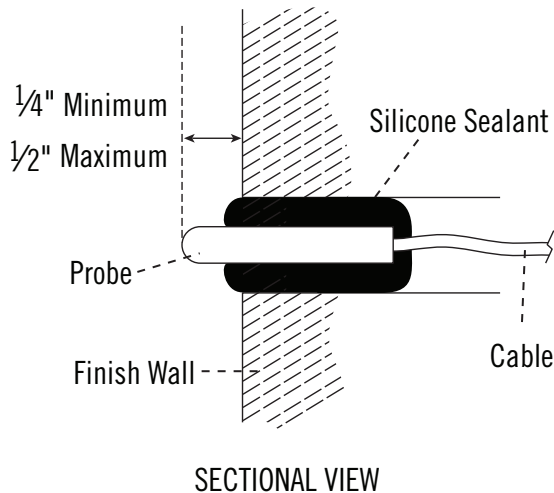
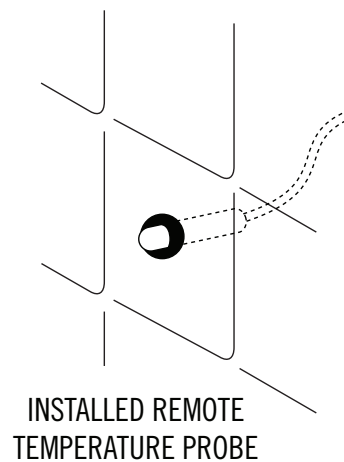


Diagram 4



SECTIONAL VIEW

Diagram 5



INSTALLED REMOTE TEMPERATURE PROBE

All drawings for illustrative purposes only